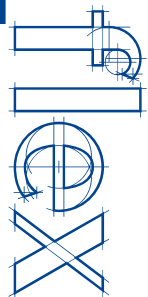




uni



Losberger uniflex – the number one choice of event professionals worldwide.

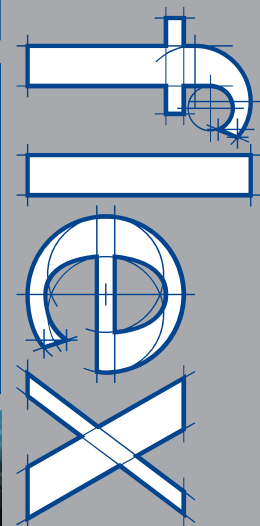
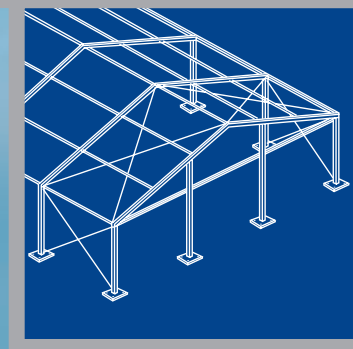


Losberger U.S., LLC
 P.O. Box 74, Frederick, MD 21705
 Phone: 800.964.8368
 Fax: 301.682.8005

LOSBERGER
www.losbergerus.com



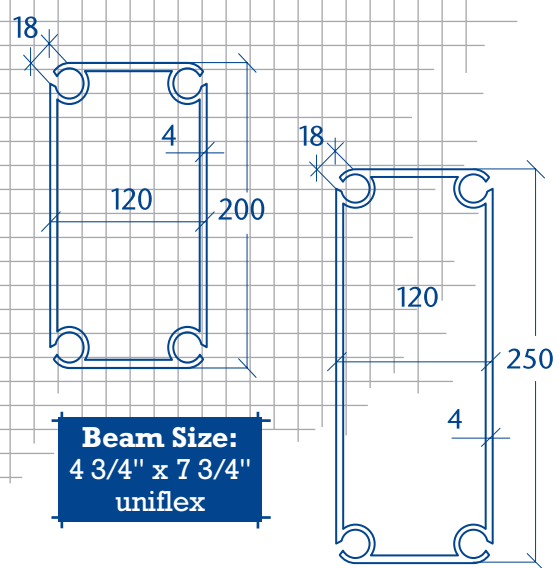
uni



Tent System



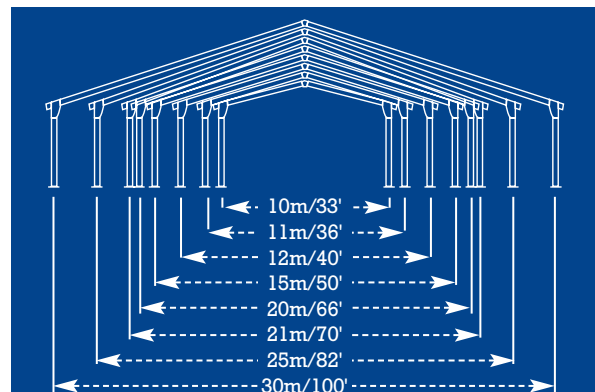
LOSBERGER



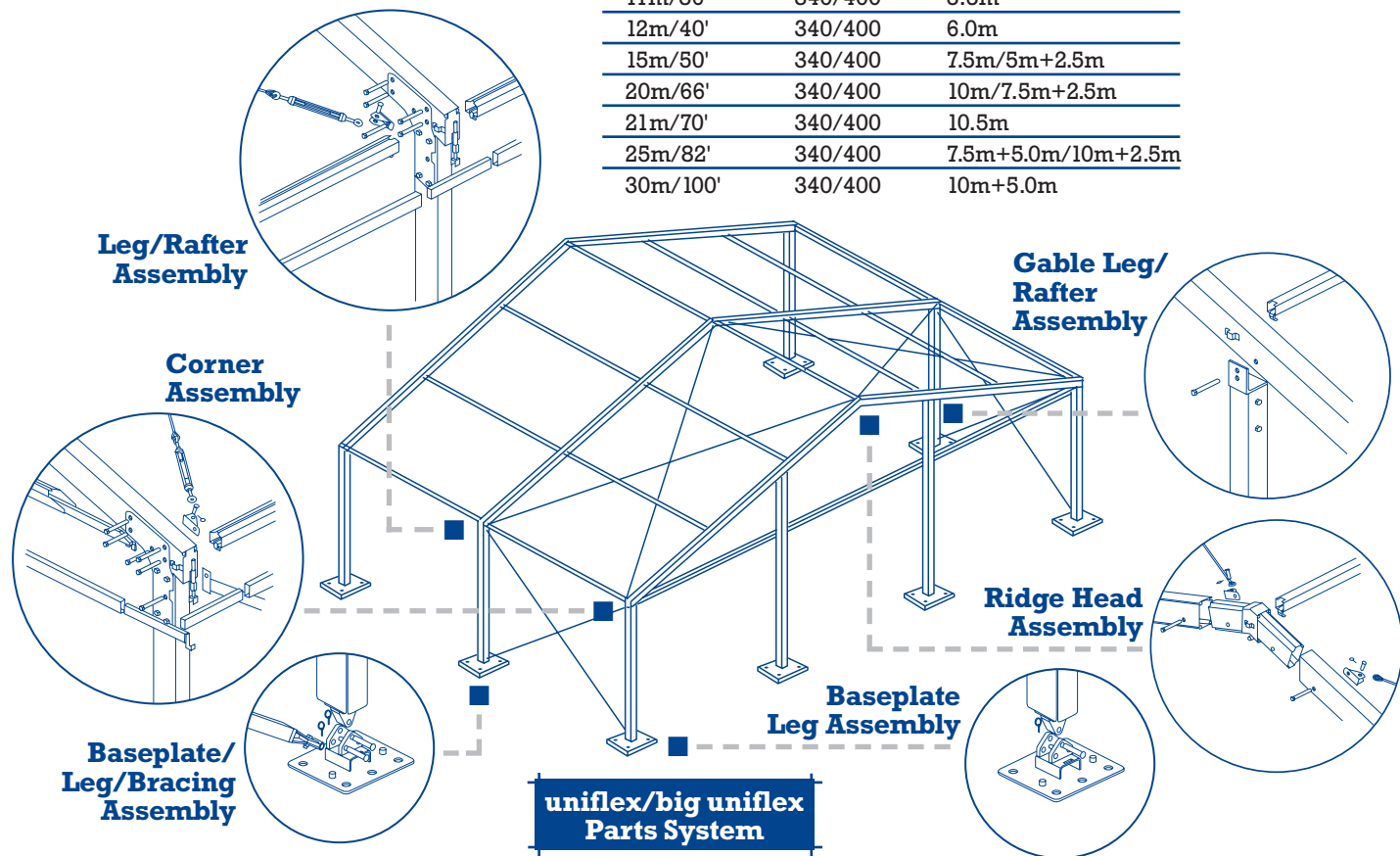
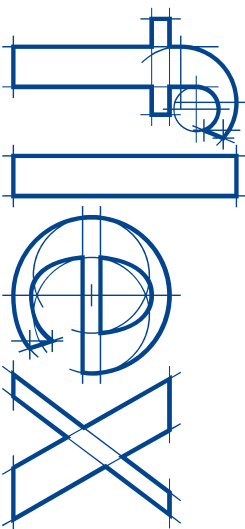
Beam Size:
4 3/4" x 7 3/4"
uniflex

Beam Size:
4 3/4" x 9 3/4"
big uniflex

uni



Width	Leg	Rafter Sections
10m/33'	340/400	5.0m
11m/36'	340/400	5.5m
12m/40'	340/400	6.0m
15m/50'	340/400	7.5m/5m+2.5m
20m/66'	340/400	10m/7.5m+2.5m
21m/70'	340/400	10.5m
25m/82'	340/400	7.5m+5.0m/10m+2.5m
30m/100'	340/400	10m+5.0m



**uniflex/big uniflex
Parts System**

uniflex/big uniflex frames feature:

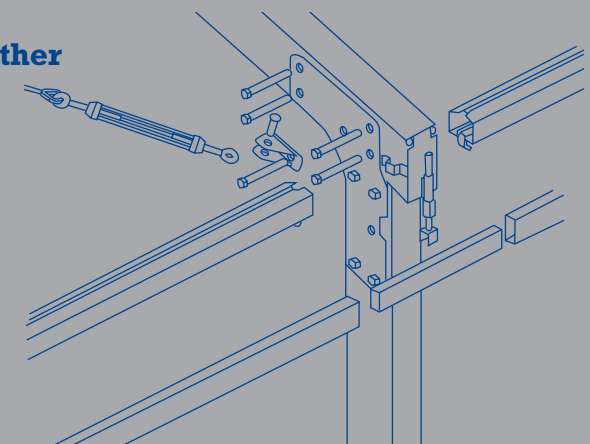
- Anodized four channel box beam aluminum
- Galvanized steel connection pieces
- Drop-in roof and eave purlins
- 5m/16' bays
- 9', 11' or 13' eave height
- Interchangeable parts between sizes
- Uniform frame parts speed installation times
- Rafter splice configurations allows flexibility between sizes
- Leg/rafter gusset plates add strength in critical lift areas
- No interior eave cables
- No interior knee braces or rafter struts
- Snow loading optional

uniflex/big uniflex Bay Dimensions

uni flex



- High quality European coated fabric – standard material for roof panels, gable ends and sidewalls.
- Kedered roof fabric and sidewalls provide weather tight coverings without lace lines or rain flaps.
- Push down roof tensioning system:
 - Holds valances in place
 - Provides straight, clean appearance
 - Seals tent for improved air conditioning and heating efficiency
 - Eliminates unsightly web and ratchet straps at each upright.



Versatile – strong – dependable

- Slide back sidewalls remain on the tent
 - Sidewalls are in place at all times
 - Unzip and slide back to open
 - Slide together, zip to close.
- Variety of sidewall window pane designs available.
- Gable end roof vents available.
- Enclosure system includes:
 - Glass windows
 - Cassette hardwalls
 - Double door kits.
- Drop-in self-locking, hardwood cassette flooring available.
- Storage and transportation pallets available for glass windows, door kits, cassette walls.
- Liners and interior draping accessories.

